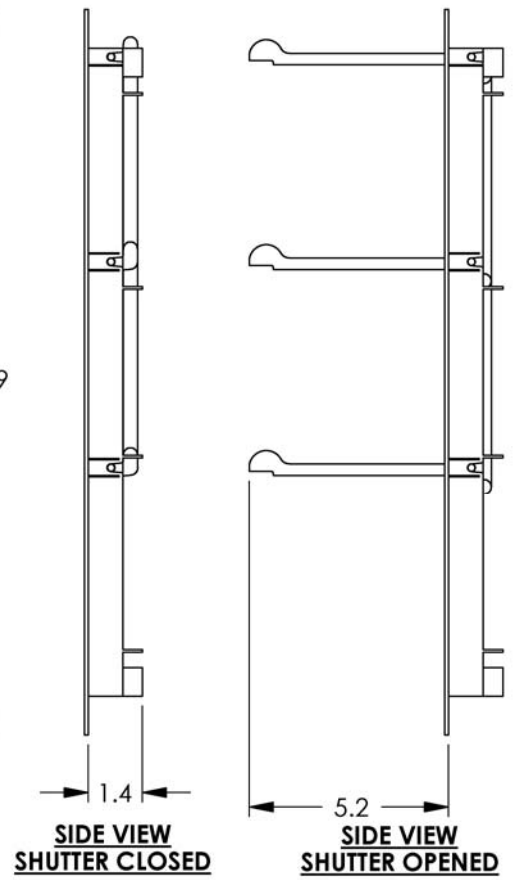
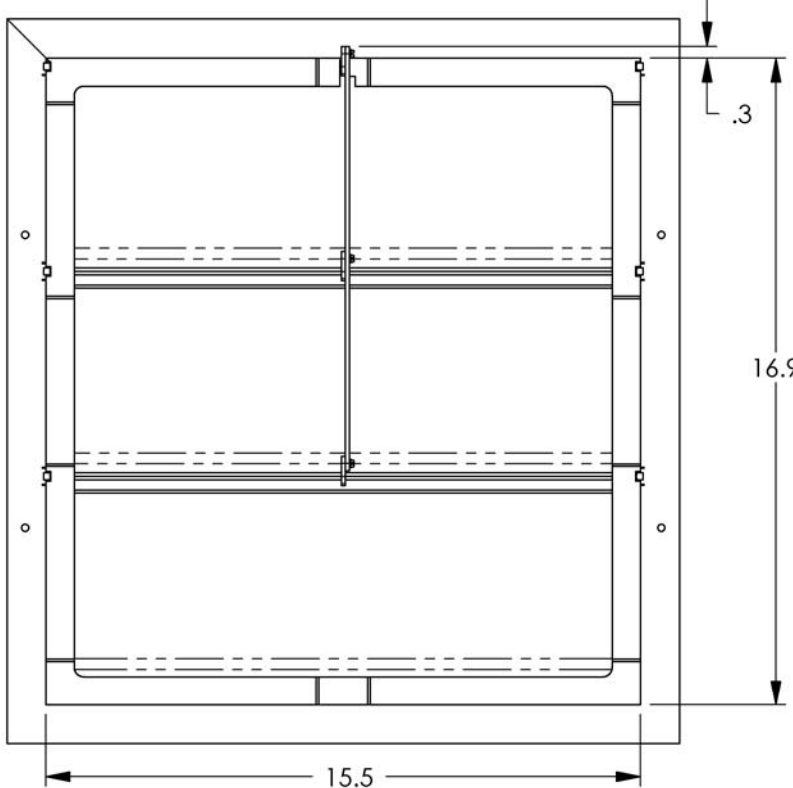


OUTSIDE VIEW

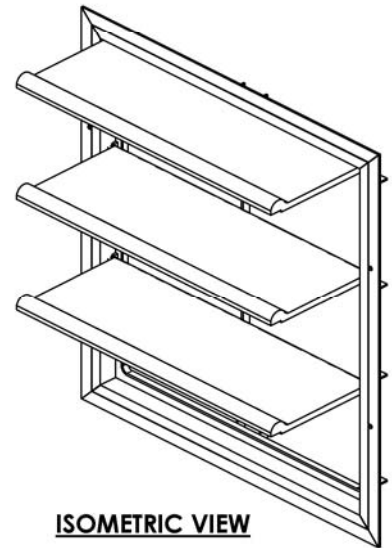


SIDE VIEW SHUTTER CLOSED

SIDE VIEW SHUTTER OPENED



INSIDE VIEW



ISOMETRIC VIEW

NOTES:

1. MATERIAL: HIGH IMPACT POLYSTYRENE.
2. FOR USE WITH ALL AIR VENT GABLE MOUNT POWER ATTIC VENTILATORS.
3. REQUIRES 15 3/4" x 17 3/4" CUTOUT.

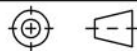
AIR VENT INC. DALLAS, TEXAS

DIMENSIONS ARE IN INCHES UNLESS OTHERWISE SPECIFIED
DO NOT SCALE DRAWING

DESCRIPTION:
 AUTOMATIC GABLE FAN SHUTTER - WHITE
 (VERTICAL APPLICATIONS ONLY)

DRAWING NUMBER:
 C-54703

PREP: J.FIGUEROA
 DATE: 09-27-04



THIRD ANGLE PROJECTION

MODEL NUMBER:

SHT15W